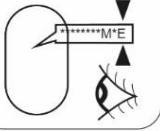




3934 - TOYOTA HILUX 2015-PRESENT/SONRASI

PRODUCT/ÜRÜN : 672 - RB022 SEPERATOR

ser.nr:



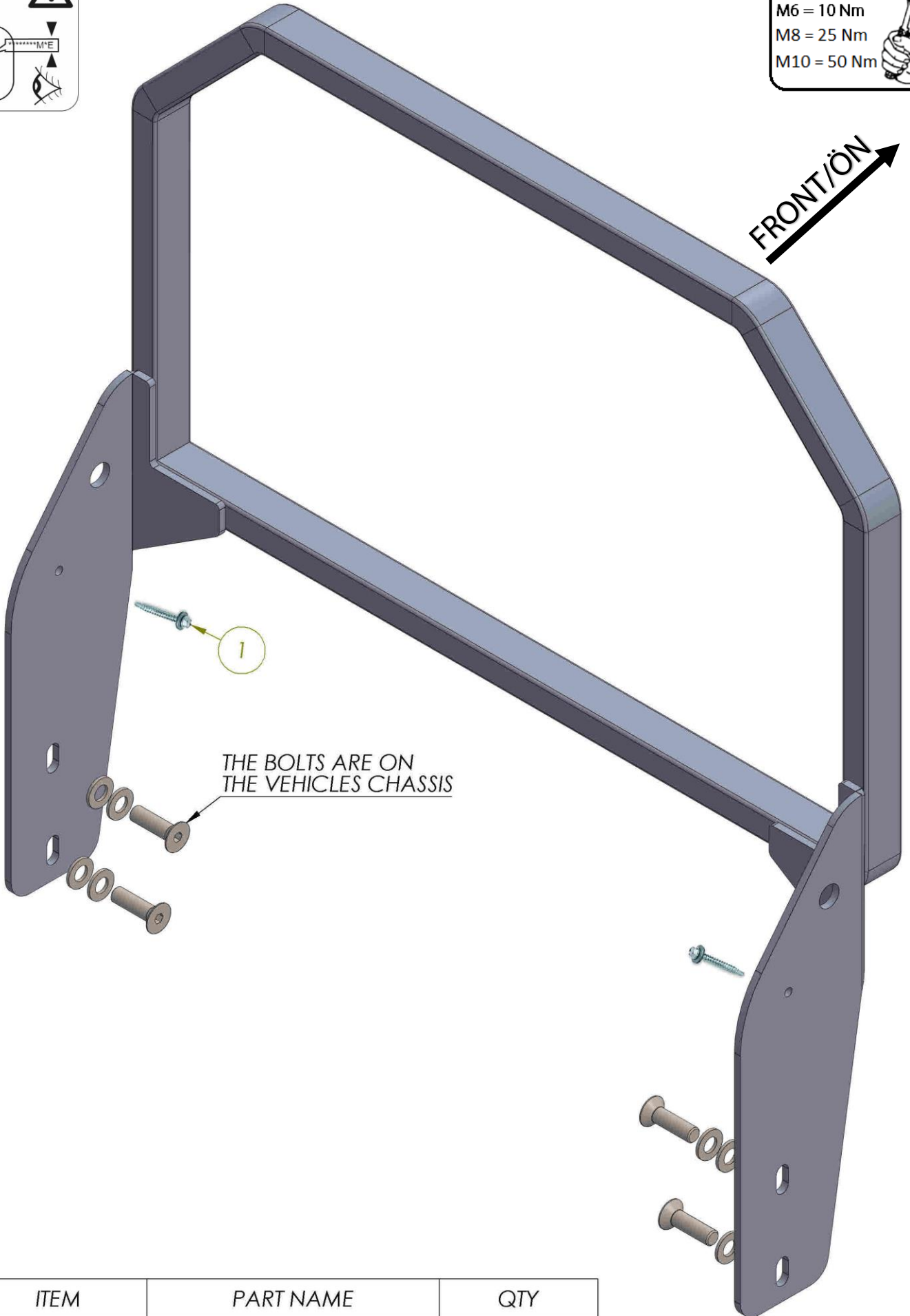
M6 = 10 Nm

M8 = 25 Nm

M10 = 50 Nm



FRONT/ÖN



THE BOLTS ARE ON
THE VEHICLES CHASSIS

ITEM	PART NAME	QTY
1	SCREW M6	2

