

**PDE**  
PRIME DESIGN EUROPE



**ErgoBACK** PDE

THE ENGINEERED, **LARGE LADDER**  
DEPLOYMENT SYSTEM.



# SAFELY (UN)LOAD LADDERS FROM BEHIND THE VEHICLE

The ErgoBack design philosophy started with the worker – how can we make the job safer, easier, and more comfortable for the human body?

The rear deploying design allows the user to safely load and unload ladders from behind the vehicle, shielded from potential road hazards or traffic. The system's ergonomic features help to protect the operator from muscle stress, strain, fatigue and accidents.

## ALURACK ADVANTAGES



### SAFE OPERATION

Stow and deploy ladders from the rear of the vehicle, safely away from potential road hazards



### EASY & ERGONOMIC OPERATION

Unique combination of in-house developed and fabricated hydraulic cylinder with integrated gas spring makes (un)loading of ladders easy and ergonomic.



### ADJUSTABLE

Factory assembled for a quick upfit with adjustable ladder support bars to fit your fleet vehicle and ladders



### FUEL-EFFICIENT & RECYCLABLE

Light-weight aluminium and aerodynamic design reduces fuel consumption and wear. 100% recyclable materials.



### EASY MOUNT

Uses existing mounting points with our flex-rail or channel. No drilling in vehicle



### 3 YEAR WARRANTY

Prime Design Europe guarantees its products against material and production defects for a period of 3 years



# ErgoBACK <sup>PDE</sup>

An intelligent system of internal mechanics and easy adjustability make ErgoBack the advanced solution for high-roof vehicles.



**SAFETY THROUGH MECHANICS**

**SEE MORE:**

[pde-group.com](https://pde-group.com)



# FULLY ADJUSTABLE FOR ALL LADDER TYPES

ErgoBACK System



## 1. ERGORACK BARS

This system mounts to ErgoRack crossbars, meaning **you can mount ErgoBACK and ErgoRack side-by-side on the same vehicle.**

## 2. ADJUSTABLE LOAD STOPS

Adjustable load stops to fit the width of different ladder types

## 3. LADDER HOLDER

Holds holds the ladder in place when the system is being closed and secures it from sliding while driving. Options are available in various sizes.

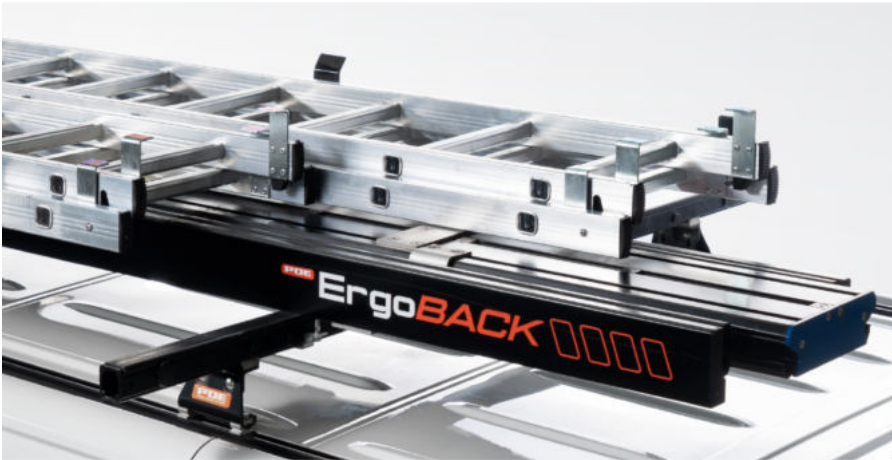
## 4. HYDRAULIC SLEDGE

Sledge movement is mechanically controlled at all times during operation. Smooth and easy operation is achieved through our in-house developed damping cylinder cylinder.



### ADJUSTABLE & INTEGRATED TIEDOWN

Position tiedown in the optimal position and secure ladders with quality hook and auto-retractable ratchet system.



### CARRY MAXIMUM PAYLOAD

Carry multiple ladders, with different sizes of standard ladders as well as platform ladders.



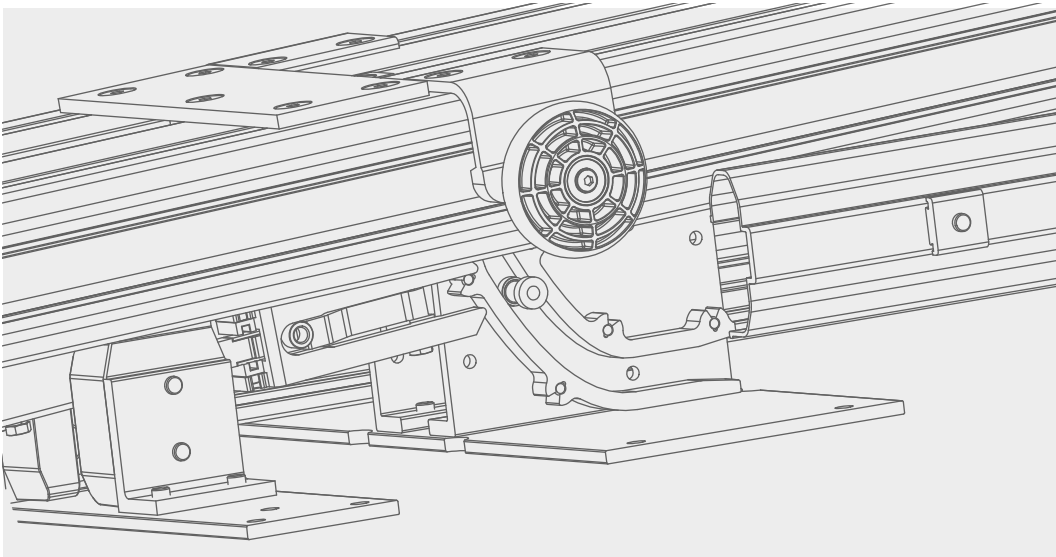
### CARRY ANY TYPE AND SIZE OF LADDER

Load stops can be adjusted vertically and horizontally to efficiently store and deploy all types of ladders including, extension and platform ladders.



# PATENTED MOTION CONTROL

The true value of the ErgoBACK product is found within its internal engineering. An intelligent mechanical and hydraulic system works together to protect the user and the vehicle.



## SMOOTH OPERATION

6 custom designed wheels running in closed C-profiles, prevent any uncontrolled movement during driving. Each wheel is equipped with high grade bearings guaranteeing smooth operation of the system and limiting free movement.

## ENERGY REDISTRIBUTION

Our patent protected acceleration cam transforms horizontal movement into rotational movement making lifting or lowering heavy ladders easy while eliminating any uncontrolled movement that could lead to an accident or injury.

## HYDRAULIC ASSISTED

A completely in-house designed, manufactured and patented hydraulic damper & push assist aids lifting when closing the system meaning less force is needed.



# THE MOST ADVANCED MOUNTING SYSTEM ON THE MARKET

The PDE mounting system is the result of 10+ years of R&D and engineering. The result is far more than a system that allows any PDE product to be mounted to any LCV model. Designed and manufactured 100% inhouse at our factories, the PDE mounting system is engineered in every aspect to improve the performance of your PDE roof rack product, and the lifespan and value of your vehicle.



## ADVANTAGES

### 2 CHANNEL TYPES

Stiff channel for flat vehicle roofs  
Flex channel for curved vehicle roofs

### POSITIONING & DISTRIBUTION

Installation becomes independent from the location of the standard mounting points of the car manufacturer, giving you full control of how you position your rack product.

### PROTECTS VEHICLE

Save on costly damages to vehicle bodywork and mounting points. The PDE mounting system includes strategic points of compliance to absorb impact and break before damage is done to the vehicle itself.

### ADAPTIVE TO ALL PDE PRODUCTS

All PDE roof products use the same mounting system meaning you can change out your rack system depending on the specific usage of your vehicle.

### TOP LEVEL FABRICATION

All aluminium assembly, weatherproofed with rubber seals and endcaps avoiding corrosion and saving weight.

[SEE MORE:](#)

[pde-group.com](http://pde-group.com)

## AluRack<sup>PDE</sup>



## ErgoRack<sup>PDE</sup>



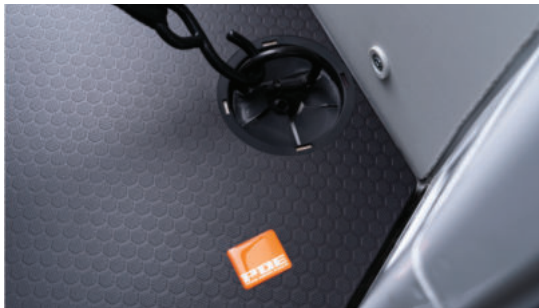
## AluBars<sup>PDE</sup>



## ErgoBACK<sup>PDE</sup>



## Protection<sup>PDE</sup> PRODUCTS



## GlassRack<sup>PDE</sup>



## CONTACT US FOR MORE INFORMATION ABOUT OUR AWARD-WINNING PRODUCTS.

Prime Design Europe is one of the leading manufacturers of performance rack systems and interior products for LCV. We develop and manufacture innovative and patented product lines (AluRack®, ErgoRack™).

Prime Design Europe distributes through partners and specialists and is one of the leading roof rack specialists in Europe. Our facilities in Belgium, Denmark and Bulgaria support customers and dealers locally. Design, manufacturing, and assembly is carried out where our significant warehouse capacity allows for prompt deliveries.



Prime Design is a partner of the Austrian initiative for safe transport: [www.sicher-transport.eu](http://www.sicher-transport.eu)



Prime Design Europe has been selected and an official partner of the 'Van Excellence Code' that aims to enhance standards of van operator compliance.



With our ISO 9001:2015 and ISO 14001:2015 quality management system, we guarantee the highest standards are applied to the sales and distribution of our products. We have defined the appropriate benchmarks for each step in the production and order process. This allows us to evaluate the quality of the work we deliver on an ongoing basis.

Prime Design Europe roof racks are protected by patents.

**PDE**  
PRIME DESIGN EUROPE

Prime Design Europe BVBA  
Tel. +32 16 22 60 99  
Fax. +32 16 22 60 90  
[info@pde-group.com](mailto:info@pde-group.com)

EXPLORE OUR FULL PRODUCT RANGE

[pde-group.com](http://pde-group.com)

**BELGIUM**  
Bietenweg 22,  
3300 Tienen

**BULGARIA**  
ul. "Dolo" 19, 1298 kv.  
Trebich, Sofia

**DENMARK**  
Baldersbuen 21,  
2640 Hedehusene