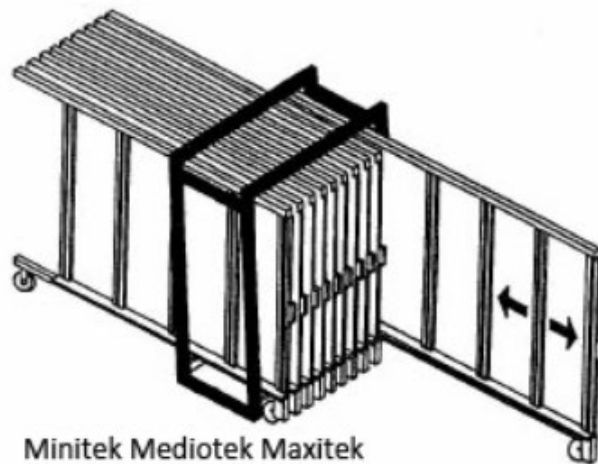
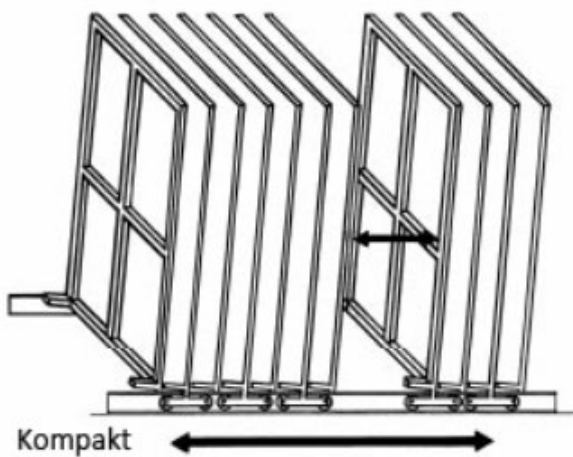


Glass storage systems

Tekimex Glass Storage systems have many advantages:

- achieve up to 50% more floor space
- better order in your glass warehouse
- less waste
- the system ensures optimum storage with tight security

All glass storage systems are TÜV approved. Glass Storage systems are supplied to the customer as kits or Tekimex offers installation depending on the geographical area.



Glass Storage Systems

Minittek – 600 kg



Mediotek – 1600 kg



Maxitek – 2750 kg



Compact – 600 kg



Compact – 1600 kg



Compact – 2700 kg



Minitek – 600 kg.



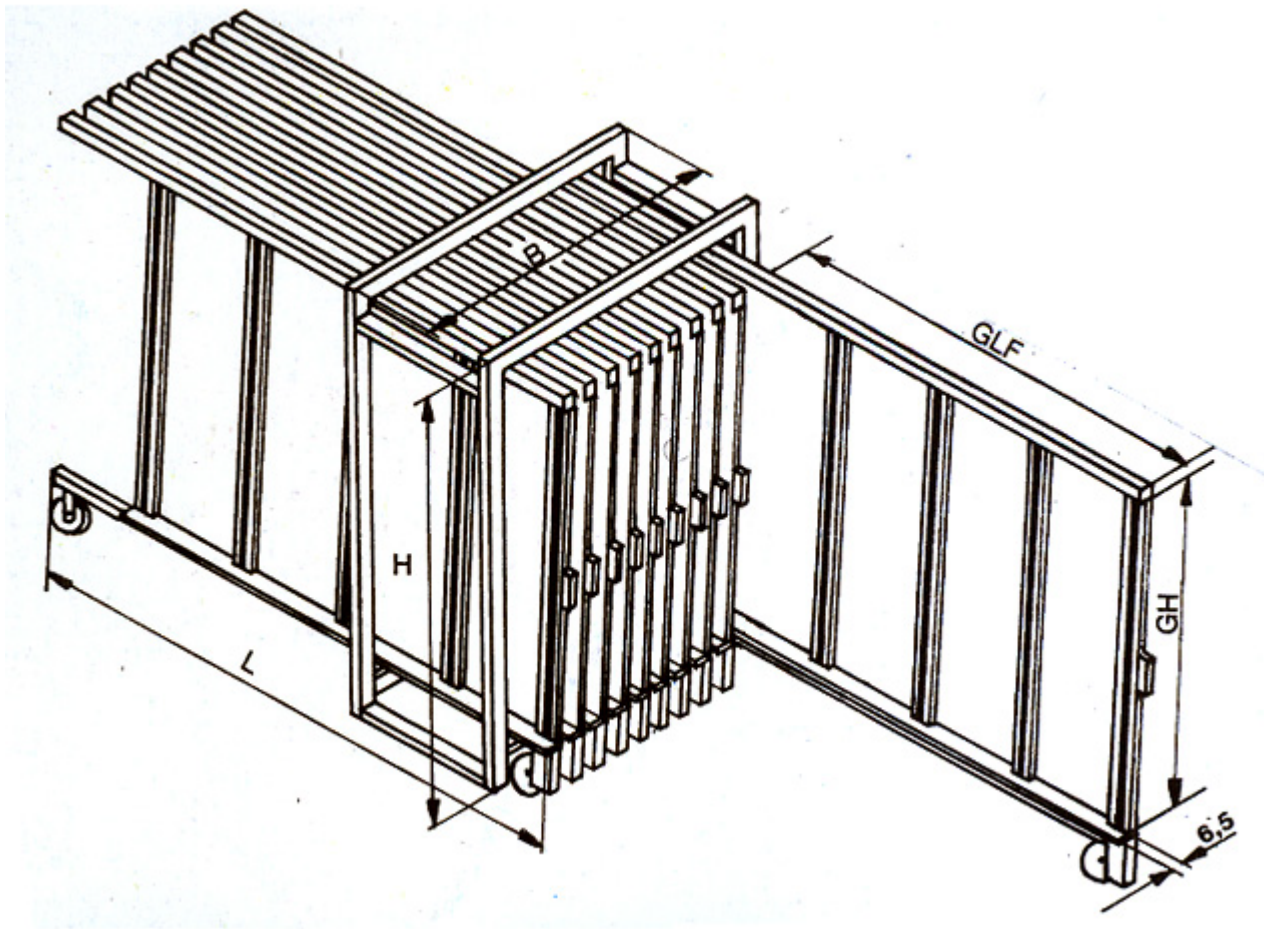
Minitek glass storage system are offered in the following sizes (glass measurement):

Minitek 600 kg					
cm	165 x 210	165 x 252	188 x 252	210 x 165	210 x 252
GH	165	165	188	210	210
GLF	215	257	257	170	257
L	309	348	348	264	348
H	211	211	234	256	256
B	6 x 6,5 = 100		10 x 6,5 = 143	15 x 6,5 = 205	

There can be 6, 10 or 15 racks per section with the possibility of adding multiple sections.

The foot rail on each rack is 65 mm wide and has a load capacity of 600 kg.

Minitek – 600 kg.



Mediotek – 1600 kg.



Mediotek glass storage system are offered in the following sizes (glass measurement):

Mediotek								
	1600 kg				1800 kg			
cm	165 x 210	165 x 252	188 x 252	210 x 252	252 x 321	225 x 355	255 x 331	255 x 355
GH	165	165	188	210	225	225	255	255
GLF	257	299	299	299	368	402	368	402
L	404	446	446	446	515	549	515	549
H	230	230	253	275	290	290	320	320
B	5 x 20,0 = 180				8 x 9,0 = 180			

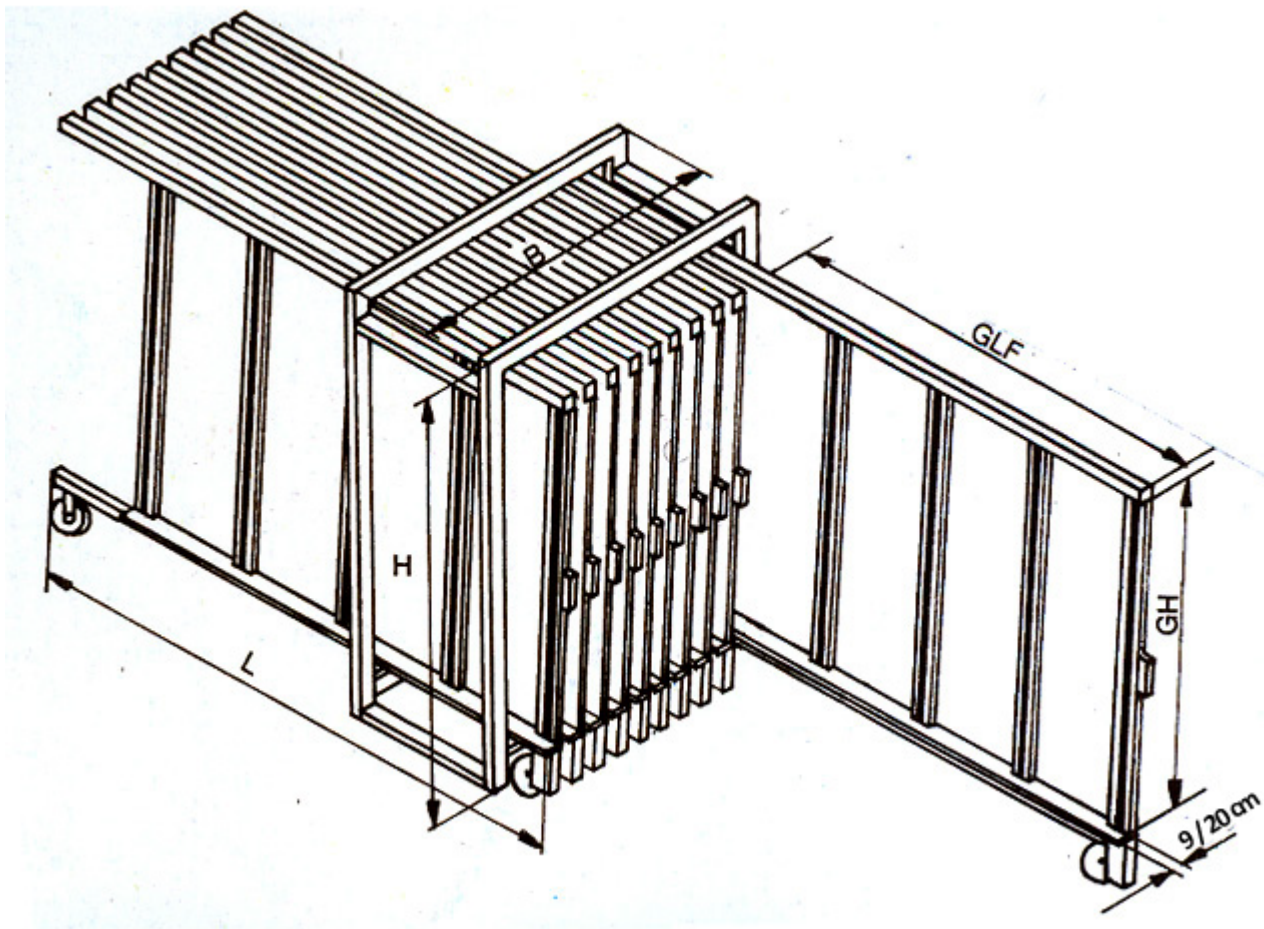
There can be 5 or 8 racks per section with the possibility of adding multiple sections.

The foot rail on each rack is 90 og 200 mm wide and has a load capacity of 1600 / 1800 kg.

Using 5 racks per section, the width is 200 mm, and is used primarily for end caps / boxes.

With 8 racks per section, the width is 90 mm, and is used for single glass.

Mediotek – 1600 kg.



Maxitek – 2750 kg.



Maxitek glass storage system are offered in the following sizes (glass measurement):

Maxitek 2750 kg				
cm	225 x 321	225 x 355	255 x 321	255 x 355
GH	240	240	270	270
GLF	370	404	370	404
L	515	549	515	549
H	290	290	320	320
B	5 x 25,0 = 220		8 x 11,5 = 220	

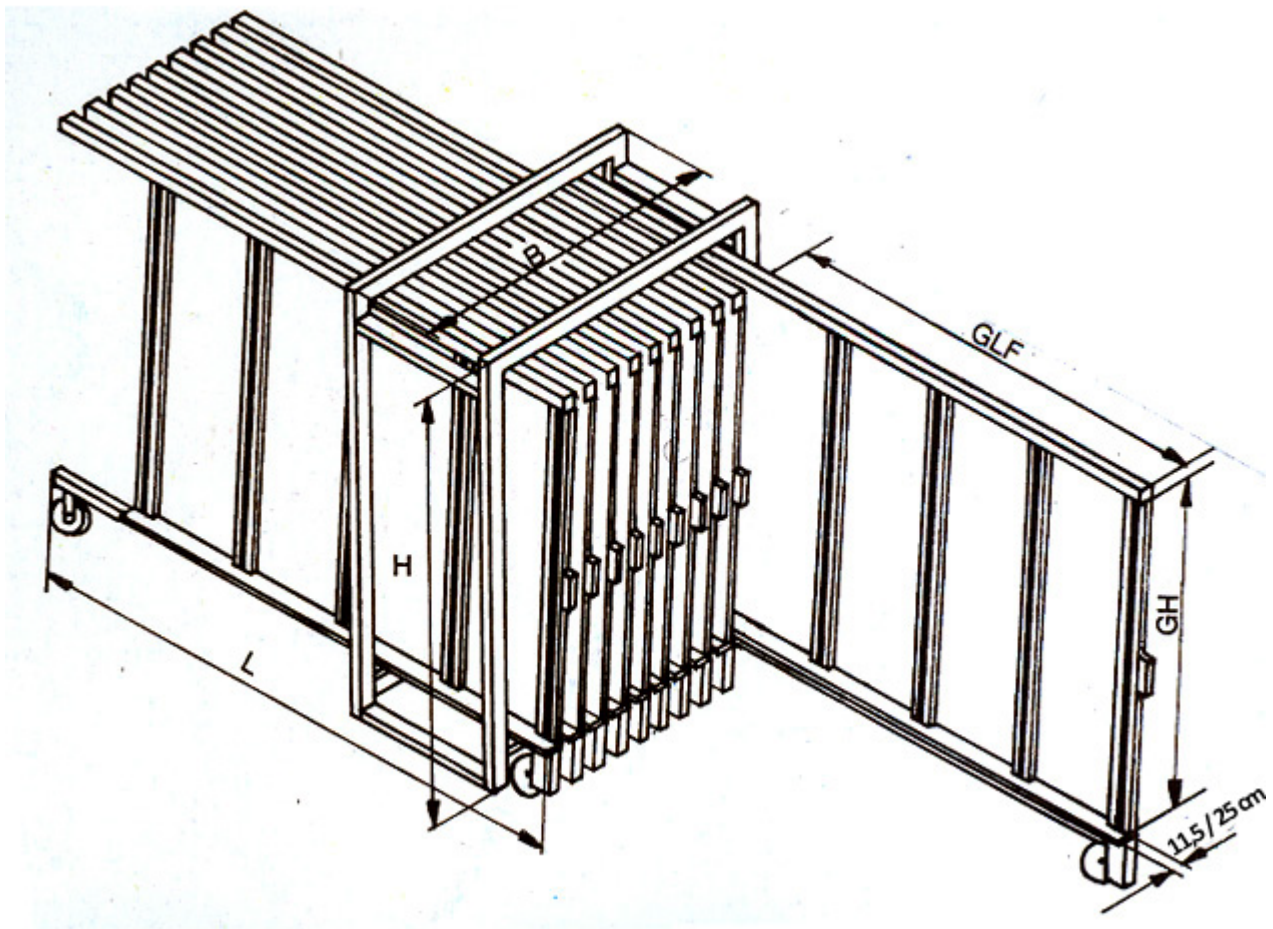
There can be 5 or 8 racks per section with the possibility of adding multiple sections.

The foot rail on each rack is 90 og 200 mm wide and has a load capacity of 2750 kg.

Using 5 racks per section, the width is 250 mm, and is used primarily for end caps / boxes.

With 8 racks per section, the width is 111 mm, and is used for single glass.

Maxitek – 2750 kg.



Compact – 600 kg.



The Compact 600 glass storage system is available in dimensions of 188 x 252 cm (glass measurement).

The number of racks is infinite, but is typically built for 10-15 racks.

The length of the floor rail adds a working width of 80 cm between racks. It is possible to deliver a longer floor rail if additional racks are required later.

The foot rail on each rack is 65 mm wide and has a load capacity of 600 kg.

Compact – 1600 kg.



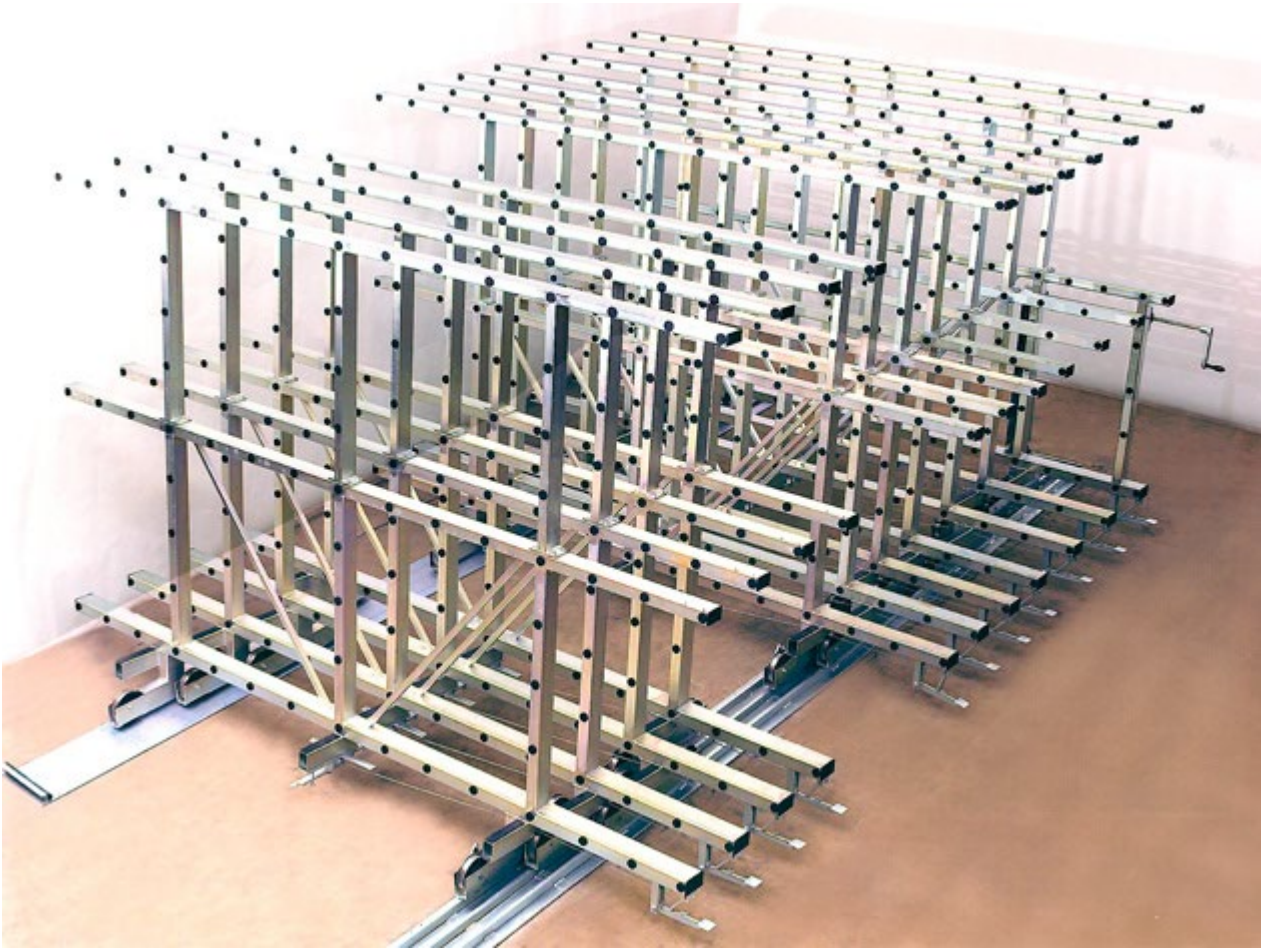
The Compact 1600 glass storage system is available in dimensions of 225 x 321 cm (glass measurement).

The number of racks is infinite, but is typically built for 10-15 racks.

The length of the floor rail adds a working width of 80 cm between racks. It is possible to deliver a longer floor rail if additional racks are required later.

The foot rail on each rack is 115 mm wide and has a load capacity of 1600 kg.

Compact – 2700 kg.



The Compact 2700 glass storage system is available in dimensions of 255 x 355 cm (glass measurement).

The number of racks is infinite, but is typically built for 10-15 racks.

The length of the floor rail adds a working width of 80 cm between racks. It is possible to deliver a longer floor rail if additional racks are required later.

The foot rail on each rack is optional 200 or 300 mm wide and has a load capacity of 2700 kg.