



| | |
|-------------------------------|------------------------------|
| Ⓒ GB Fitting Instructions: | FRONTGUARD |
| Ⓓ D Montageanleitung: | FRONTBÜGEL |
| Ⓝ NL Montagevoorschrift: | FRONTGUARD |
| Ⓕ F Instructions de montage: | PARE-BUFFLES |
| Ⓔ E Instrucciones de montaje: | DEFENSA DELANTERA BIG BAR |
| Ⓜ I Schema di montaggio: | PROTEZIONE FRONTALE CENTRALE |
| Ⓢ S Manual: | FRONTBÅGE |

Citroën Berlingo 2008 → Peugeot Partner 2008 →



Type Nr.: CB/15/A; CB/15/B
Best.-Nr.: CIT 1221EC; CIT 1223EC



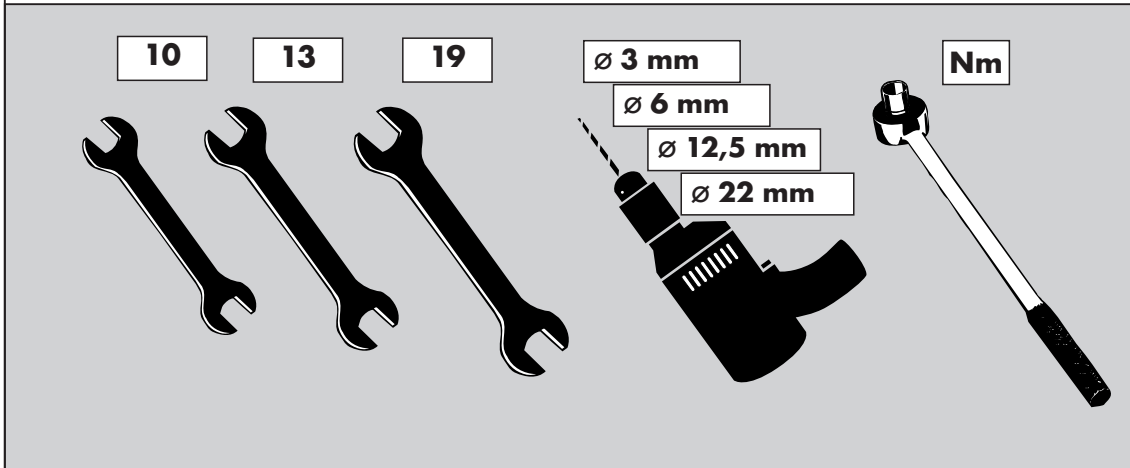
30 Min.



All rights reserved to modify the text

Type Nr.: CB/15/A; CB/15/B

Required tools / Benötigte Werkzeuge / Benodigde werktuigen / Outillage requis
 Herramientas necesarias / Utensile necessarie / Verktuyg somsokrävs



COBRA
 TECHNOLOGY & LIFESTYLE

● Fitting Instructions: FRONTGUARD
 ● Montageanleitung: FRONTBÜGEL
 ● Montagevoorschrift: FRONTGUARD
 ● Instrucciones de montaje: PARE-BUFFLES
 ● Instrucciones de montaje: DEFENSA DELANTERA BIG BAR
 ● Schema di montaggio: PROTEZIONE FRONTALE CENTRALE
 ● Manual: FRONTBÄGE

**Citroën Berlingo 2008→
 Peugeot Partner 2008→**

Type Nr.: CB/15/A; CB/15/B
 Best-Nr.: CIT 1221EC; CIT 1223EC

30 Min.

All rights reserved to modify the text

1 ISSUE 3 29.06.2015

Parts list / Teileliste / Onderdelenlijst / Liste de pièces
 Lista de accesorios / Lista di pezzi / Artikel lista

| | | | | | | |
|----------|--|---------------|-----|-----------|--|---------------|
| 1 | | | | | | 1 x |
| 2 | | Halter | 2 x | 7 | | ø 8,1 2 x |
| 3 | | ø 22 x 3 x 19 | 2 x | 8 | | ø 8,4 2 x |
| 4 | | M 6 | 2 x | 9 | | M 8 2 x |
| 5 | | M 6 x 25 | 2 x | 10 | | M 12 x 80 2 x |
| 6 | | M 8 x 20 | 2 x | 11 | | ø 12,2 2 x |

